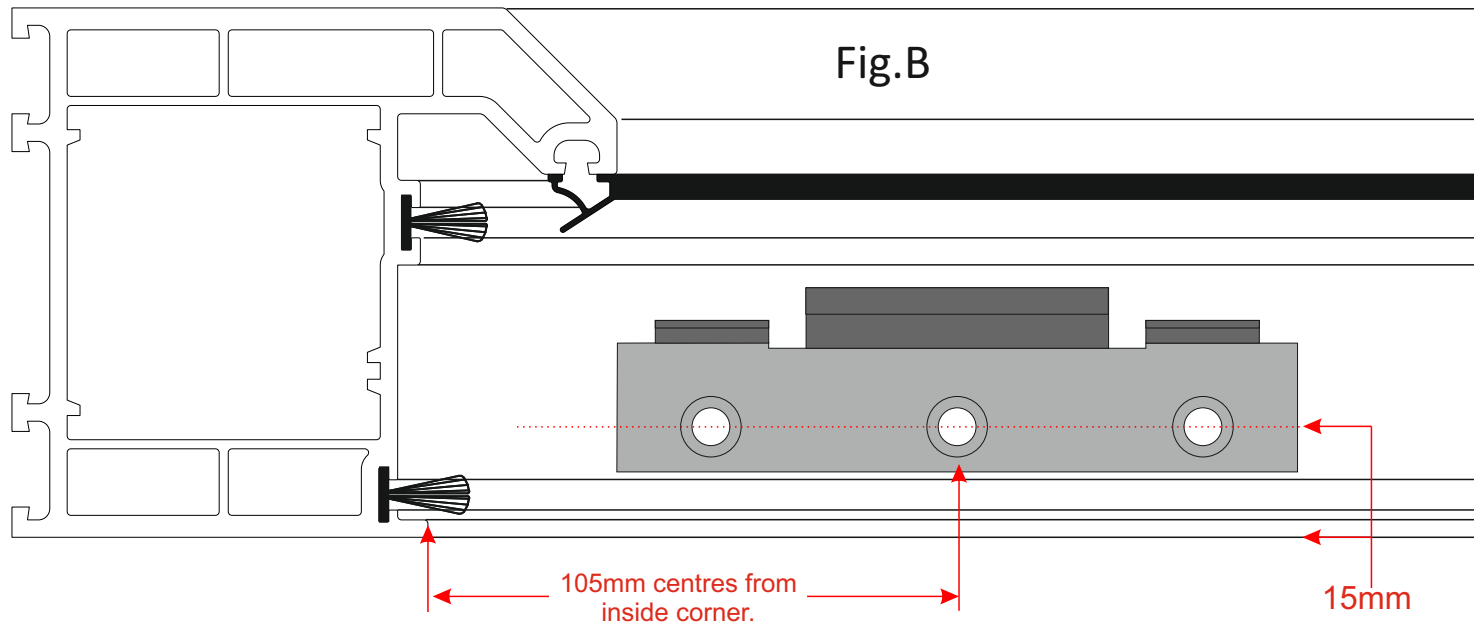
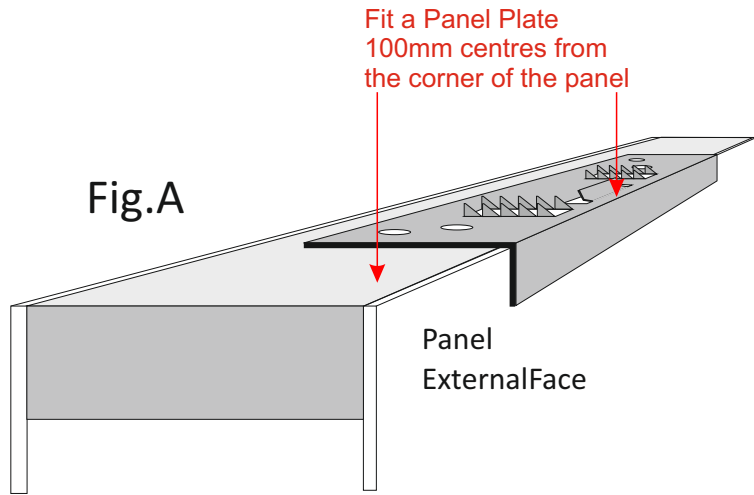


GT Panel Lok has been designed to assist the easy fit of Composite Panels into a side screen situation.

A set comprises of two metal parts, a panel plate and a frame plate, along with an acetel cover for the frame plate.

Fitted correctly, as show in the diagrams, GT Panel Lok will allow a push and lock fit with the advantage of easy release for removing the panel.

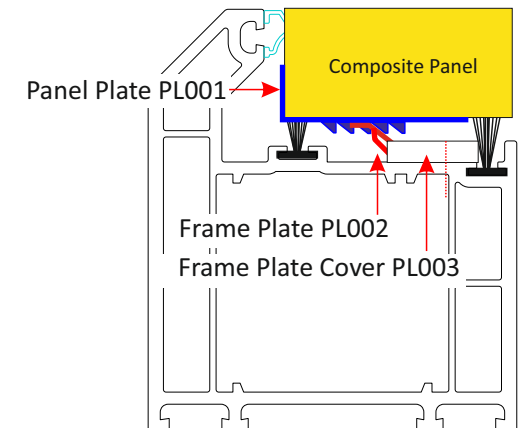
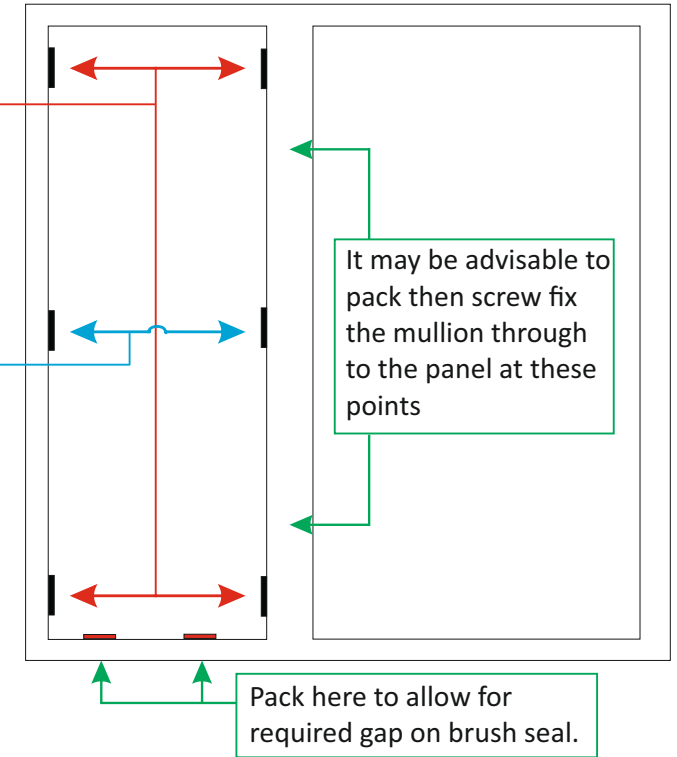


## FITTING

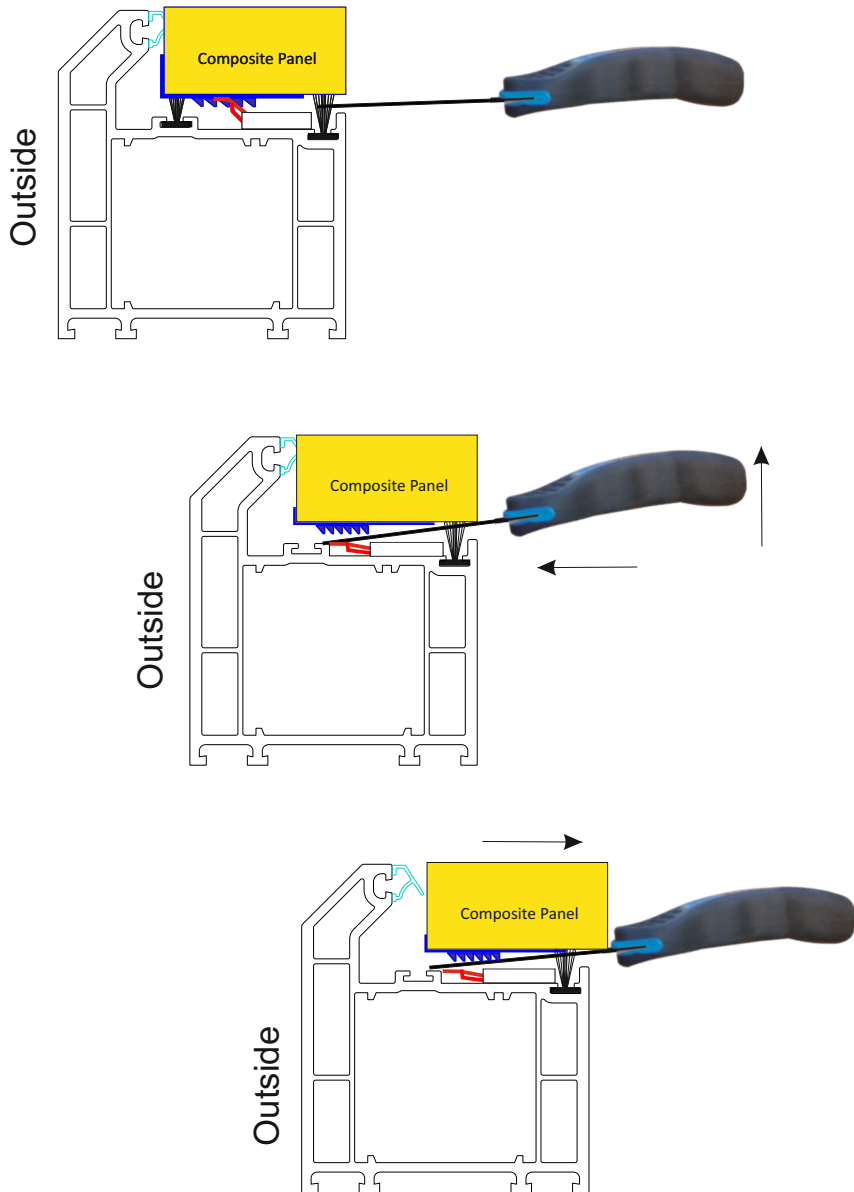
Fit Panel Lok on the vertical bars at the centre shown in Fig A and Fig B

Fit additional sets central at these points

All drawings are not to scale  
Reinforcement and fixings  
have been omitted for clarity  
Patent No. GB2445676B



# RELEASING

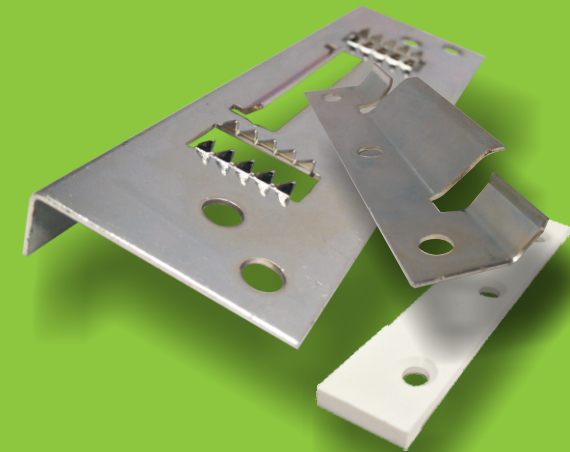


## WINDOW PRODUCTS LIMITED

Effective solutions for windows manufacturers and fitters

### GT Panel Lok

Patent No. GB2445676B



Fitting & Removal Instructions

Patent No. GB2445676B

Eurocell

